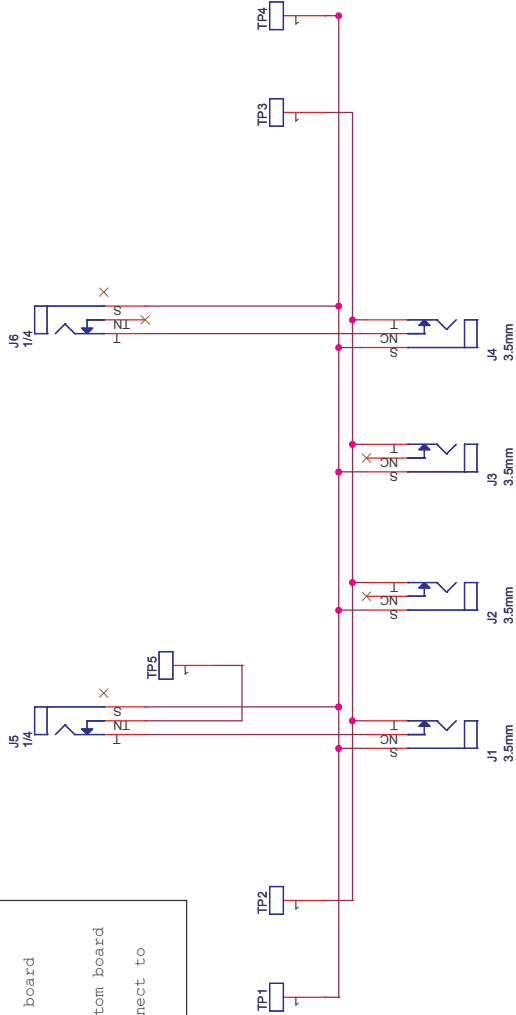


7-WAY (DUAL-BOARD) CONNECTION DETAILS

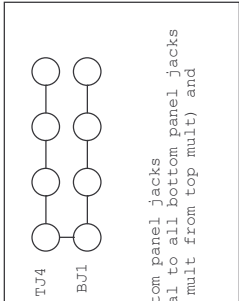
J5 is unpopulated on the top board
 J4 is the leftmost panel jack on the top board
 J6 is unpopulated on the bottom board
 J1 is the leftmost panel jack on the bottom board
 Test Points 4 and 2 on the top board connect to
 Test Points 1 and 5 on the bottom board



7-WAY (DUAL-BOARD) NORMALLY CLOSED SEQUENCE

Top J6 -> Top J4 -> Bot J5 -> Bot J1
 (Top Rear -> Top Left Panel -> Bot Rear -> Bot Left Panel)

Plug in Top J6 connects its signal to all top and bottom panel jacks
 Plug in Top J4 disconnects J6 signal & connects its signal to all top and bottom panel jacks
 Plug in Bottom J5 disconnects bottom mult from top mult and connects its signal to all bottom panel jacks
 Plug in Bottom J1 disconnects bottom rear signal (and thus disconnects bottom mult from top mult) and connects its signal to all bottom panel jacks



Title		4-WAY MULTIPLE wirenet	
Size	Document Number	Copyright: 2006 Ad Infinitum Music	
B		Date:	
Rev	Sheet	1	of 1
A			